

**Kimberley Products Pty Ltd
ULTIMATE SERIES CEILING MOUNTED
FOLDING ACCESS LADDERS**

**Installation Instructions
KASW106HC, KASW106HCW, KASW107HC,
KASW107HCW, KASW108HC, KASW108HCW,
KASW109HC, KASW109HCW, KASW110HC,
KASW110HCW**

WARNING

Before you start installing your new Kimberley Ceiling Mounted Folding Attic Ladder, you must read and understand the following:

1. Installation requires two people.
2. **DO NOT** open folding attic ladder until it is securely installed in the ceiling.
3. **Check the ceiling height to make sure the ladder length is correct.** If the ladder is too short, return it to the point of purchase for an exchange. Under no circumstance is any folding attic ladder to be used when the ceiling-to-floor measurement exceeds the maximum ceiling height as indicated for the Ceiling Mounted Folding Attic Ladder you are installing (**See “Min / Max Ceiling Height” column in Table 1 on page 2**).
4. This folding attic ladder is completely assembled and is ready for installation. Do not disassemble it to install.
5. The Gas springs on this folding attic ladder are under compression. Use extreme caution when checking, or using this folding attic ladder. Never try to remove the gas springs when the folding attic ladder is in the open position.
6. Make sure there is no wiring or piping that the saw or drill can come in contact with during installation.
7. Opening or standing on the folding attic ladder’s climbing sections prior to properly fastening to ceiling joists could cause serious bodily injury.
8. If the premises has roof trusses, do not cut the ceiling joists without consulting an engineer for approval.
9. Before installation, read all the instruction and warning labels on the folding attic ladder.
10. Improper installation of this folding attic ladder could put undue stress on its components and could result in failure and serious bodily injury.
11. Follow the “Height Adjustment” instructions on the Critical Step Detail Page 6.

Parts List

Included with your Folding Attic Ladder:

- 1 Extendable operating pole,
- 1 Eye hook with 2 washes and 1 nut,
- 4 Support straps with 12 nails (clouts),
- 12 Fixing screws,
- 6 Coach Screws,
- 1 Instruction Sheet.

PEOPLE, TOOLS & MATERIALS REQUIRED:

- Two (2) people are required
- Stepladder
- Hammer
- Adjustable Wrench
- Tape Measure
- Hand Saw
- Drill
- Spacers (same length & width of joists)
- Additional 6mm spacers for squaring purposes
- Phillips Head Screwdriver

Warning!

READ INSTRUCTIONS AND WARNINGS COMPLETELY BEFORE STARTING.

IMPORTANT: Do not open folding attic ladder until instructed to in step number 3 on installation Instructions.

FOLDING ATTIC LADDER LOCATION:

Allow ample room for the landing space of the folding attic ladder when it is opened (See Table 1 on this page and Figure 1 on page 3).

Locate the folding attic ladders Nominal Frame Size, so that when you enter the storage area, you will have adequate head clearance.

Model	Nominal Frame Size	Min / Max Ceiling Height A	Min / Max Landing Space B	Min / Max Swing Clearance C
KASW06A	550 x 1200	2400 - 2635	1149 - 1587	1574 - 1742
KASW07A	550 x 1300	2620 - 2850	1225 - 1700	1739 - 1922
KASW08A	550 x 1300	2810 - 3075	1310 - 1820	1704 - 1922
KASW09	550 x 1500	3070 - 3360	1412 - 1972	1917 - 2125
KASW10	550 x 1600	3360 - 3730	1700 - 2150	2150 - 2300
KASW06W	700 x 1200	2400 - 2635	1149 - 1587	1574 - 1742
KASW07W	700 x 1300	2620 - 2850	1225 - 1700	1739 - 1922
KASW08W	700 x 1300	2810 - 3075	1310 - 1820	1704 - 1922
KASW09W	700 x 1500	3070 - 3360	1412 - 1972	1917 - 2125
KASW10W	700 x 1600	3360 - 3730	1700 - 2150	2150 - 2300

Specifications subject to change without notice

Table 1

Page 2

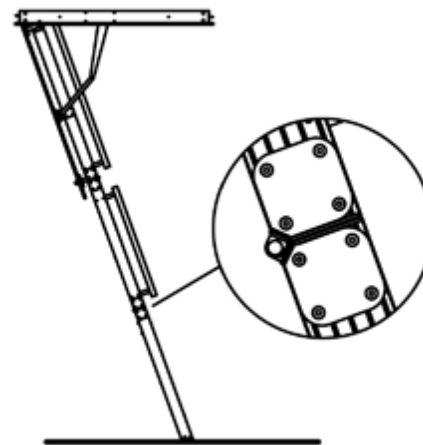


Figure 5

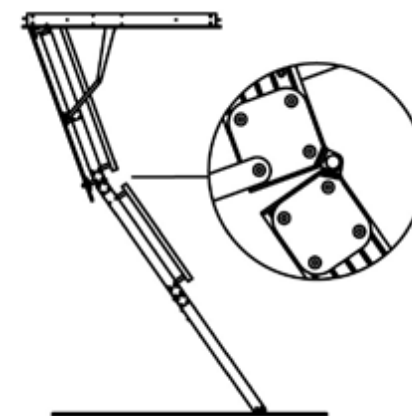


Figure 6

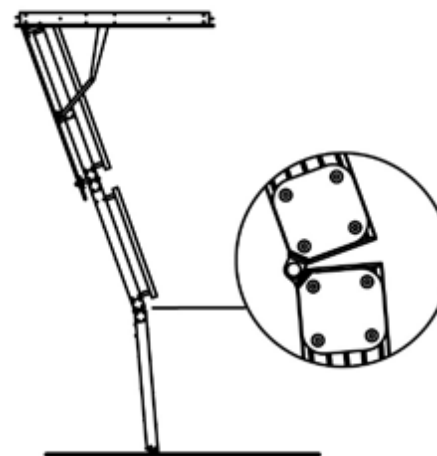


Figure 7



Figure 8

ADJUSTING FOLDING ATTIC LADDER TO LENGTH

1. With one person in the attic and the other in the room below, pull down the door and unfold your ladder as shown in figures 6 or 7 on page 7.
2. As shown in Figure 8 on page 7, undo the lock nuts on both sides of the frame.
3. Turn the adjusting screws clockwise or anti clockwise, this will change the angle of the door until the feet touch the floor and section gaps are closed, as shown in figure 5 on page 7. Make sure both screws are adjusted the same length.
4. Tighten the lock nuts and re-check that both screws are the same length and it looks like figure 5 on page 7.
5. If the attic ladder looks like Figures 6 or 7 on page 7, then it is not safe to use.
 - Re-do steps 2 to 4.
 - If still having trouble, call Kimberley Products, 1-800-225-377 and ask for: Customer Service or e-mail kimprod@kimprod.com.au.

ATTACHING THE EYE BOLT

1. Remove pole from the bag and the eye bolt from the pole.
2. Remove the nut and 1 washer from the eye bolt.
3. Place the bolt through the hole provided in the door with 1 washer either side of the doorskin, then add the nut and tighten.

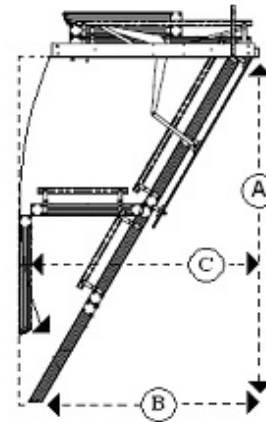


Figure 1

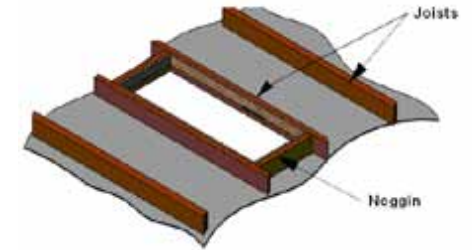


Figure 2

Installation Instructions

1. Make a rough opening in the ceiling, and frame to size (suitable to your model purchased) as shown in Table 1 (on page 2) & figure 2 (above).

If the folding attic ladder is wider than the spacing between the ceilings joists, you should consult a structural engineer before installing, since cutting into a ceiling joist could weaken the structural integrity of your ceiling.
2. Install metal support straps to the folding attic ladder (See Figure 3 on this page) prior to lifting folding attic ladder into rough opening.

Temporary Support Strap Installation

Provided are 4 metal temporary support straps for installing this folding attic ladder.

Follow instructions below to install straps



Figure 3

- A. Remove the folding attic ladder from its box.
- B. Place the folding attic ladder on the floor with the door facing down.
- C. Using the nails (clouts) and straps provided, fit straps to pre drilled holes as marked in figure 3 above.

- Position one person in the attic and position one person in the room below (the room the attic ladder will unfold into).

The person in the room below will need to raise the folding attic ladder into the rough opening and position the folding attic ladder's frame flush with the ceiling surface.

WARNING: When a stepladder is used, make sure that the user's weight and that of the folding attic ladder plus any tools does not exceed the load capacity of the stepladder (See notice labels on stepladder for safety information and load capacity).

- The person in the attic should then bend the "metal support straps" strapping at the four corners of the folding attic ladder over the adjoining ceiling joists and nail through the metal strapping to temporarily suspend the folding attic ladder with nails (clouts) provided.
- This is only for temporary support. DO NOT STAND on the climbing sections of the folding attic ladder while installing.**
- Install eye bolt (refer to instructions on Page 6).

CAREFULLY open the folding attic ladder door, but **DO NOT** unfold the climbing sections. While standing on the stepladder, centre and square the folding attic ladder in the rough opening using packers.

- If the space between the rough opening and the folding attic ladder frame exceeds a 6mm of space, a piece of MDF or some other spacing material should be placed along the full length of the unit.
 - Then use the small packers to make the final square adjustments.
 - Check to be sure that the folding attic ladder frame is flush with the ceiling before final screwing. Once the folding attic ladder is positioned as desired, final screwing should be done through the folding attic ladder frame (see Figure 4 on page 5).

Be certain to install screws in the holes provided in the hardware pivot plates and the corner brackets (markets with red paint).

Note it is very important that screws go through pivot plates and corner brackets (failure to do so, could damage ladder and cause serious bodily injury).

- Note:**
For fixing ladder we recommend the use of screws for ease of removal if required

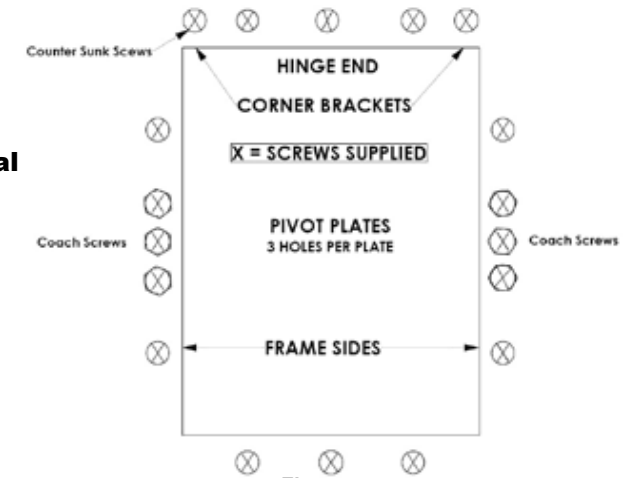


Figure 4

- Double check the instructions to make sure that the folding attic ladder are properly installed prior to use.

THE GAS SPRINGS ARE UNDER COMPRESSION, USE EXTREME CAUTION WHEN ADJUSTING, CHECKING, OR USING.

- Please refer to the "Adjusting to Length" section on page 6. To complete installation.
- To install moulded trim (architrave), leave adequate clearance between the door panel and the trim on all sides.